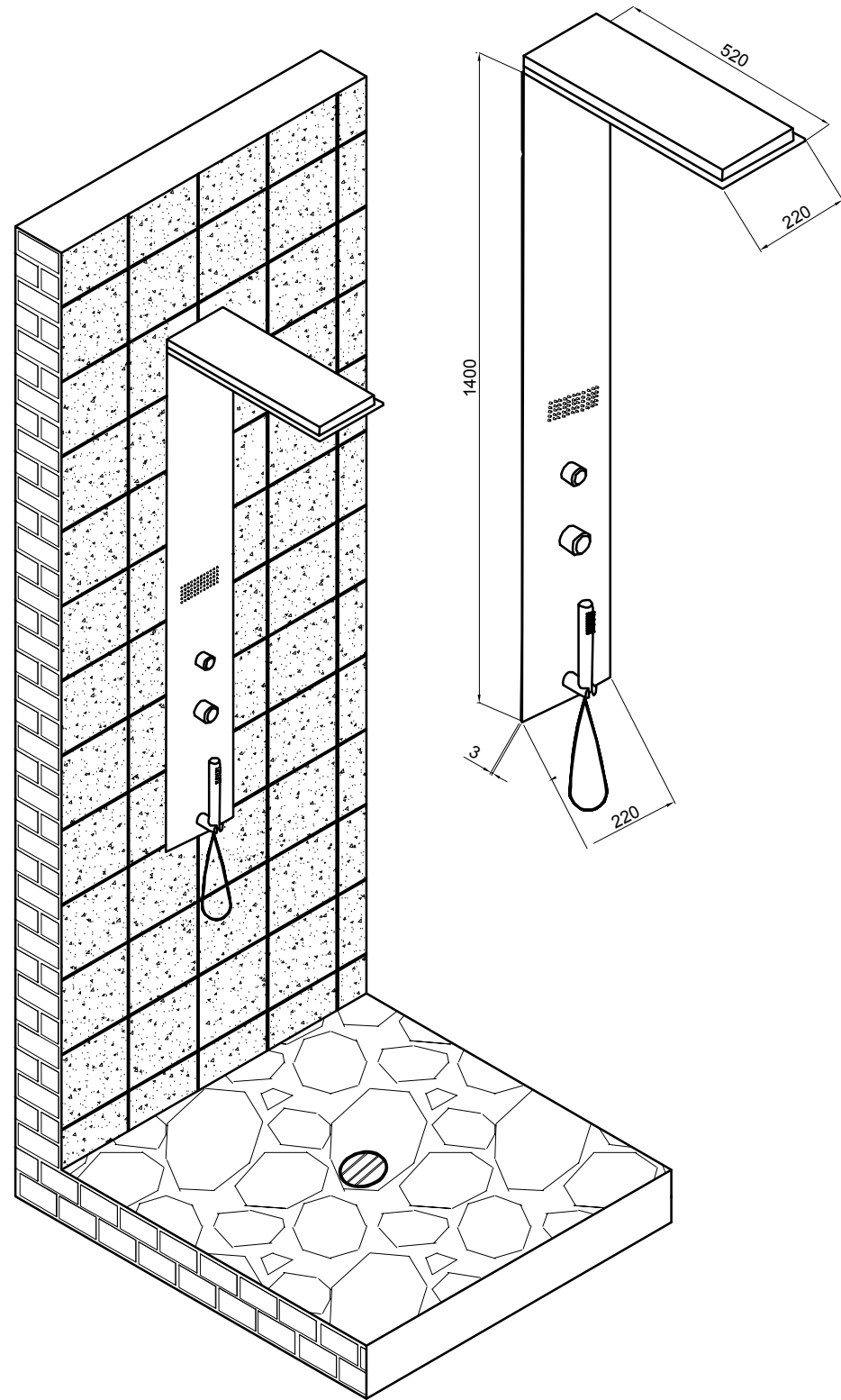
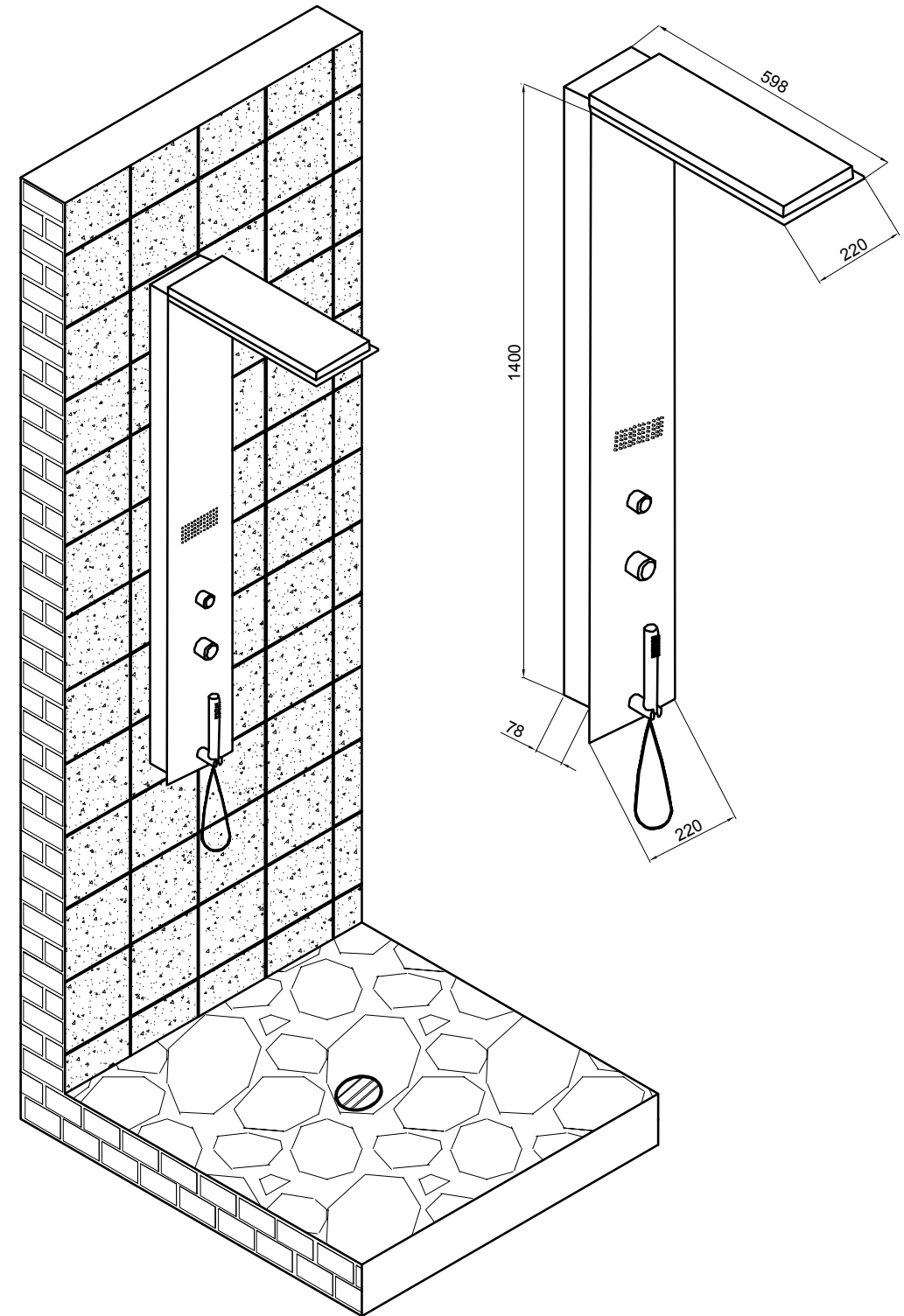


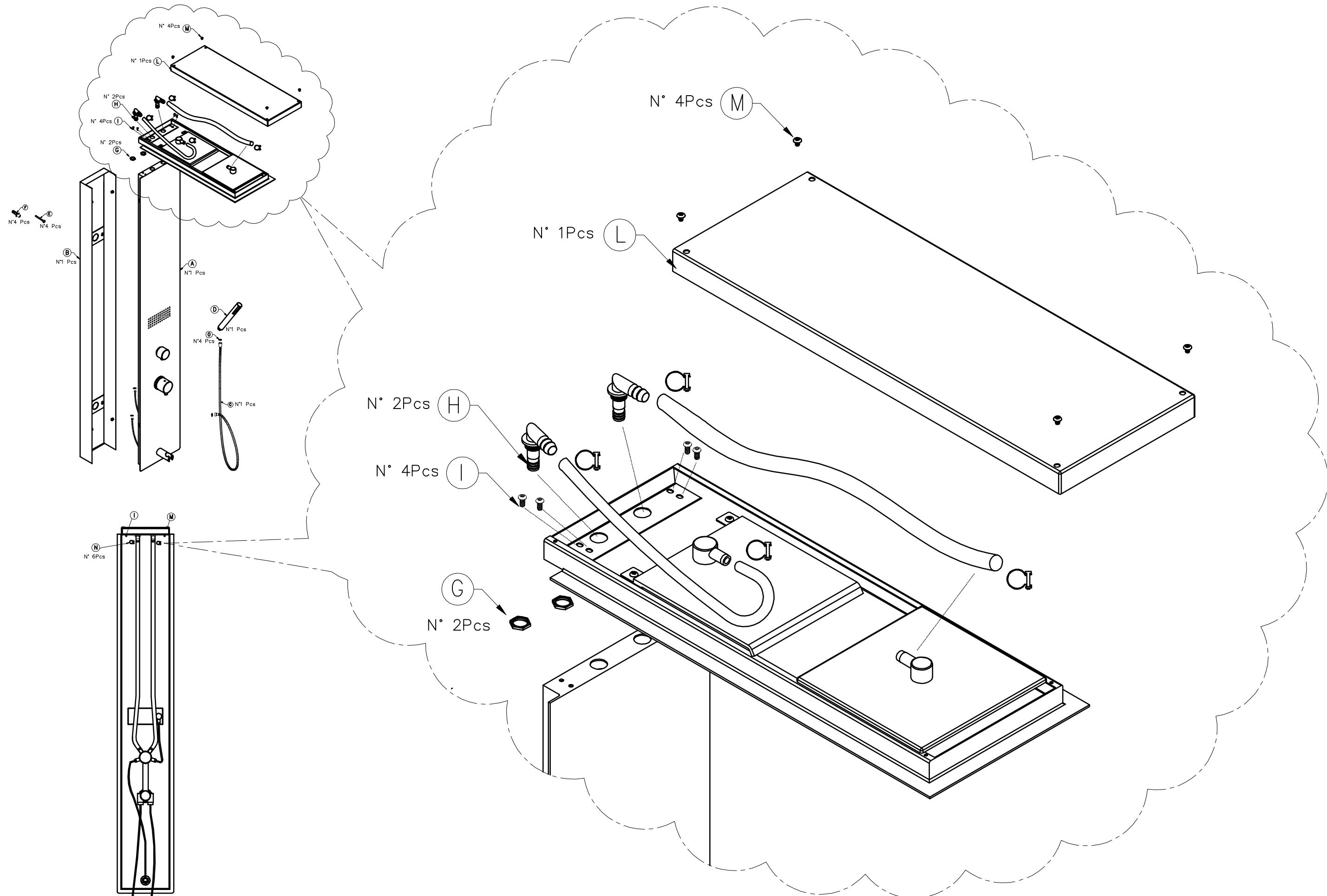
# ATE021- ATE022

## IN

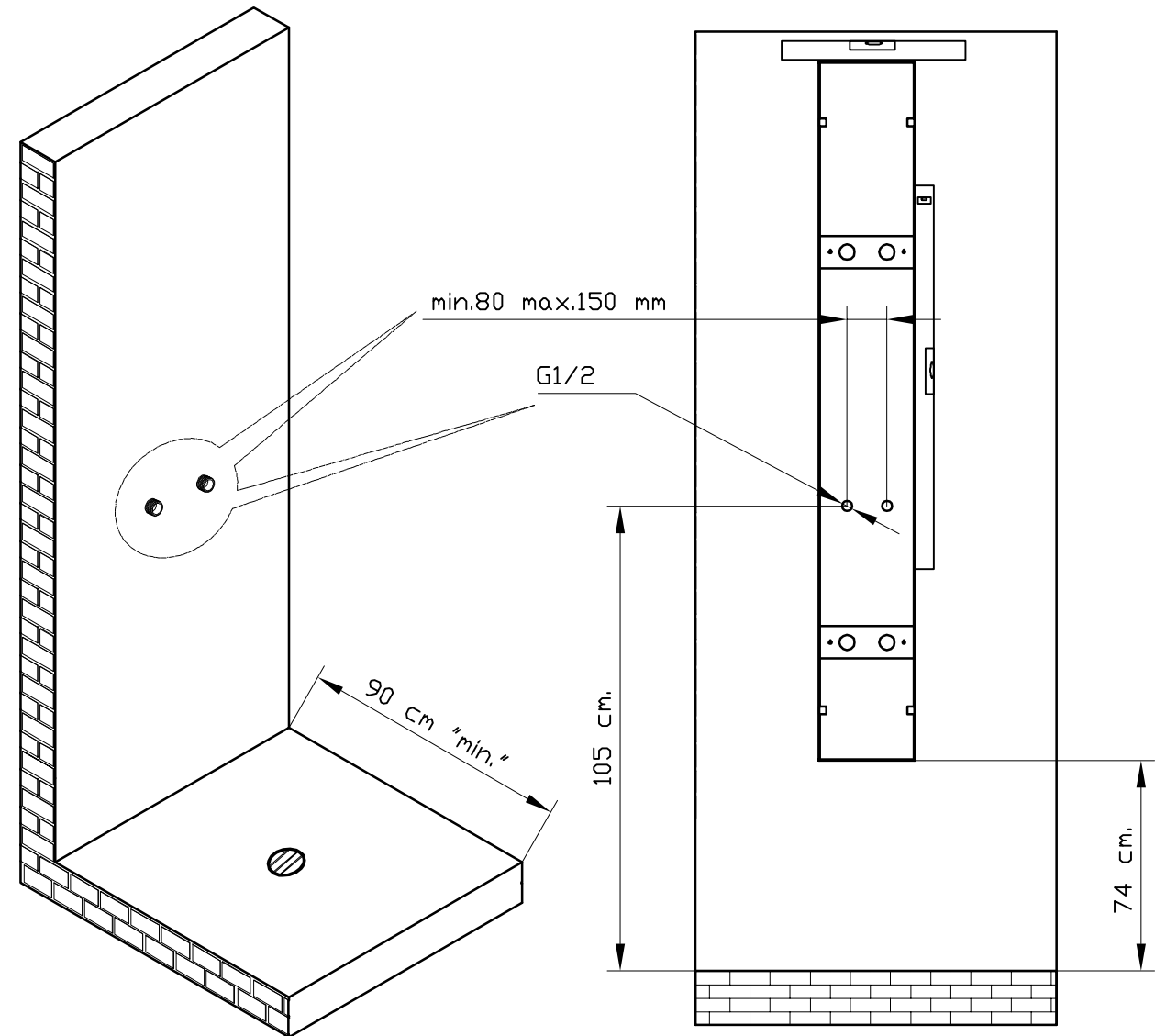


## OUT

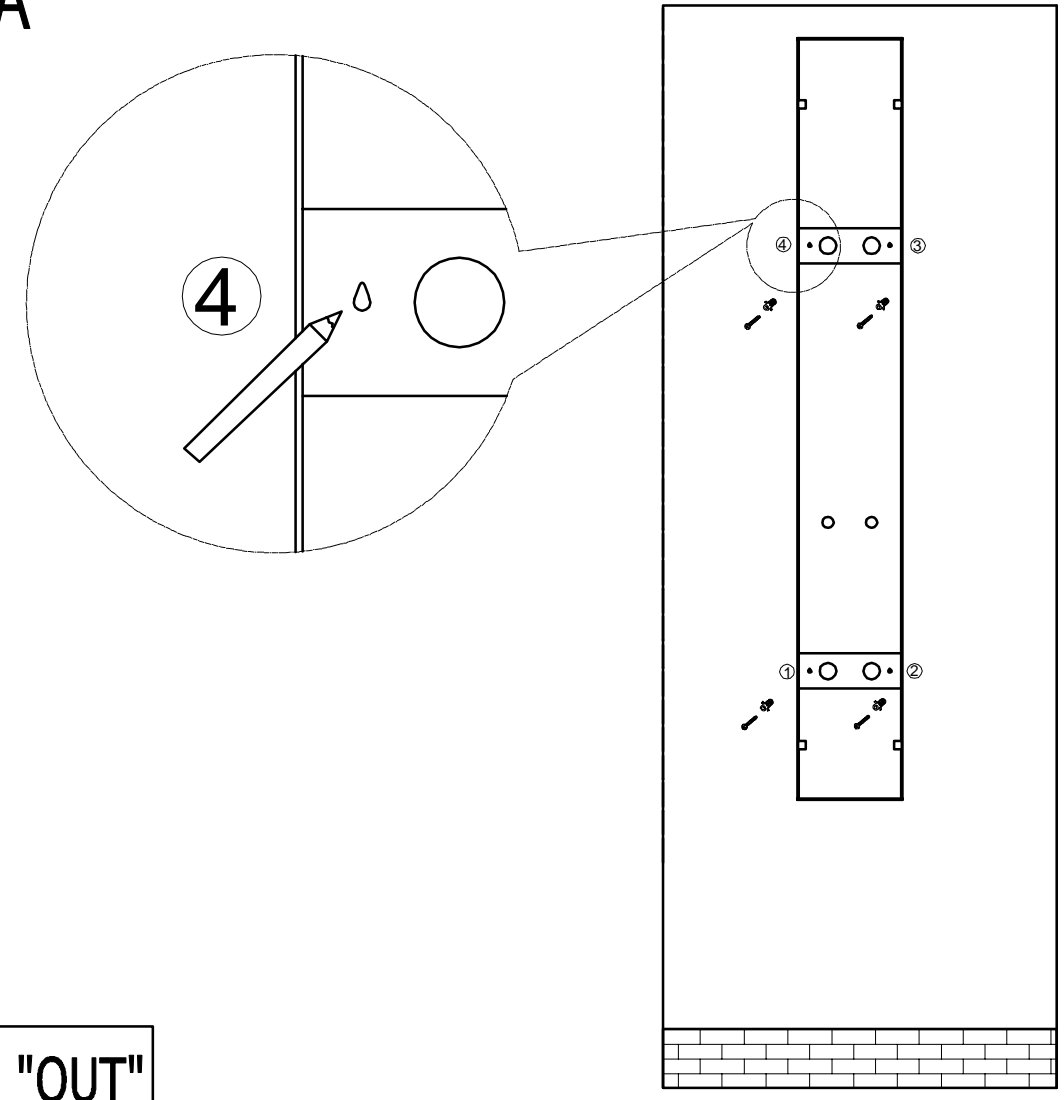




1A

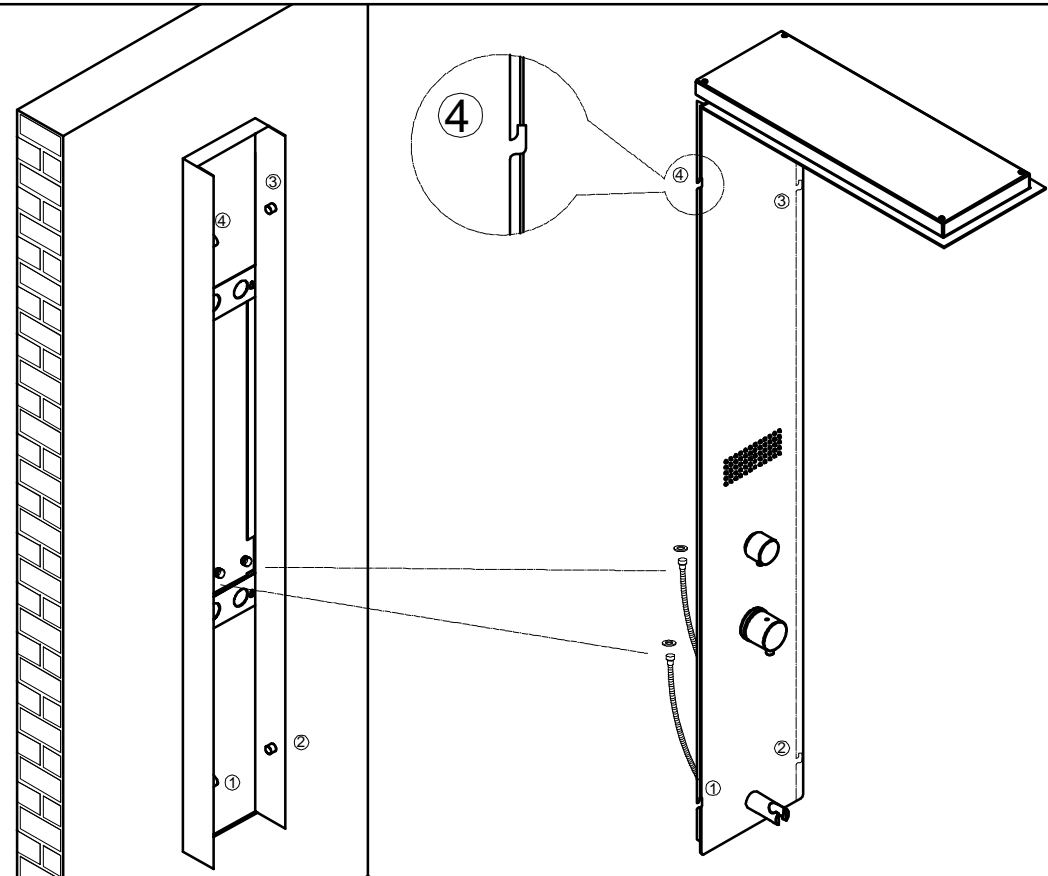


2A



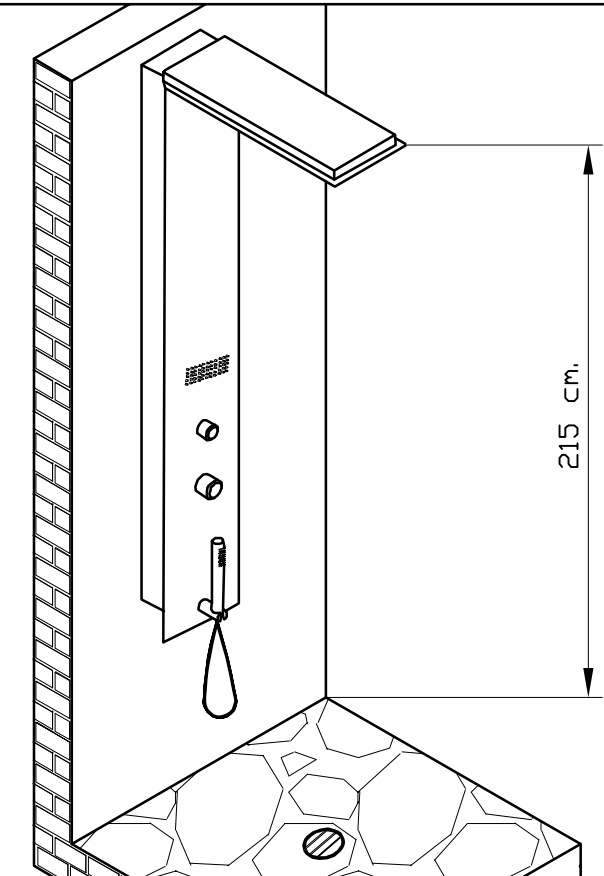
VERSION "OUT"

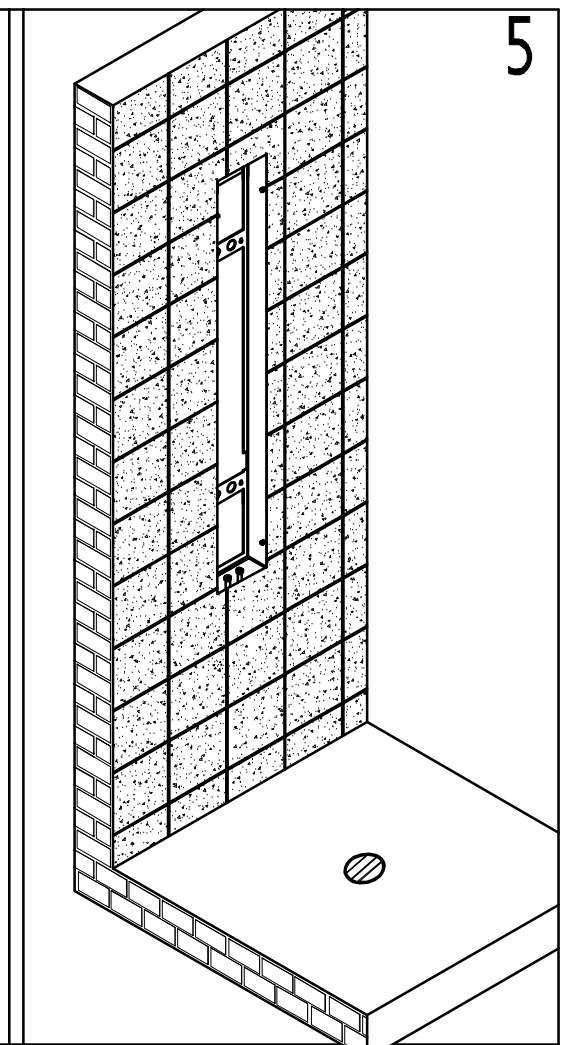
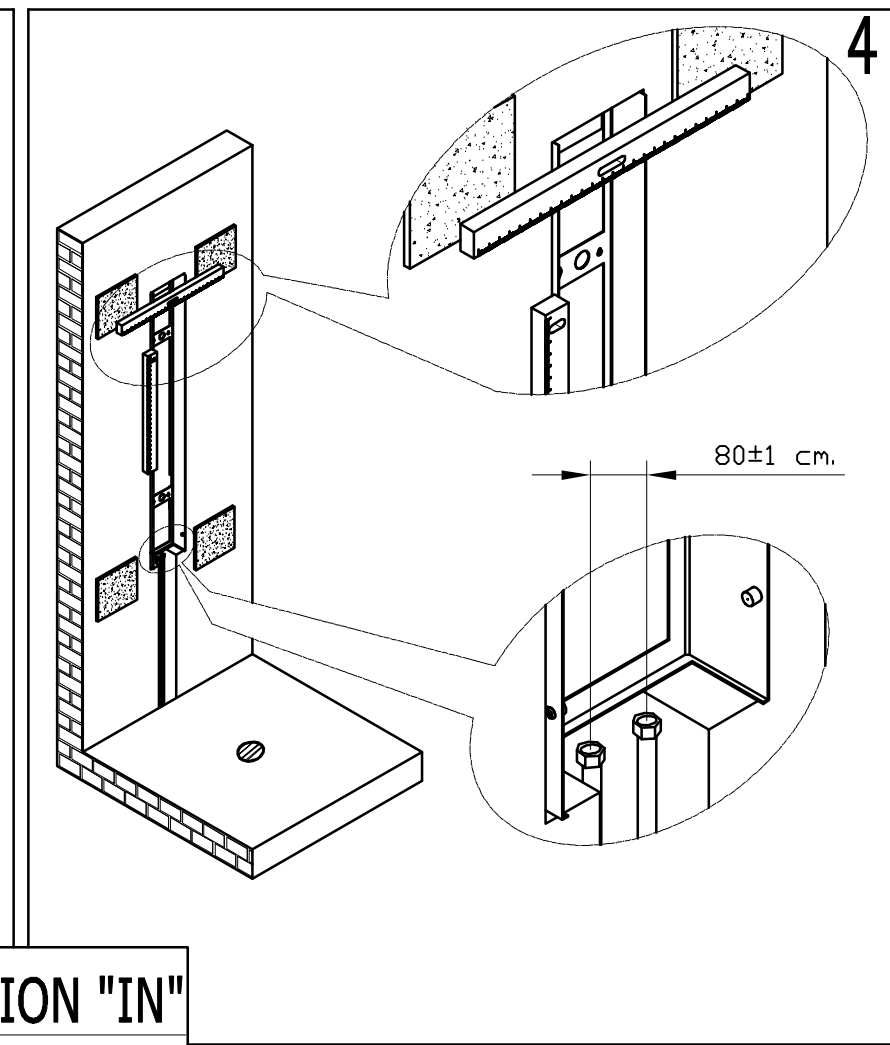
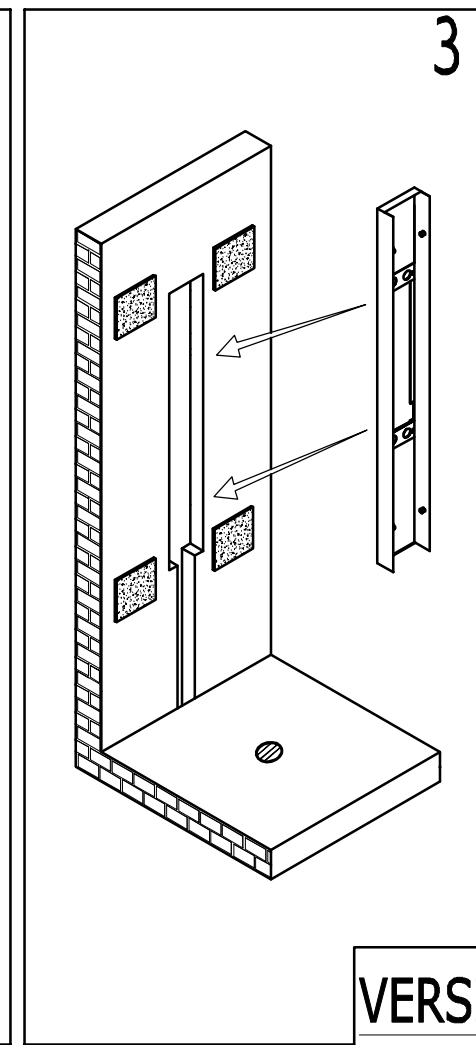
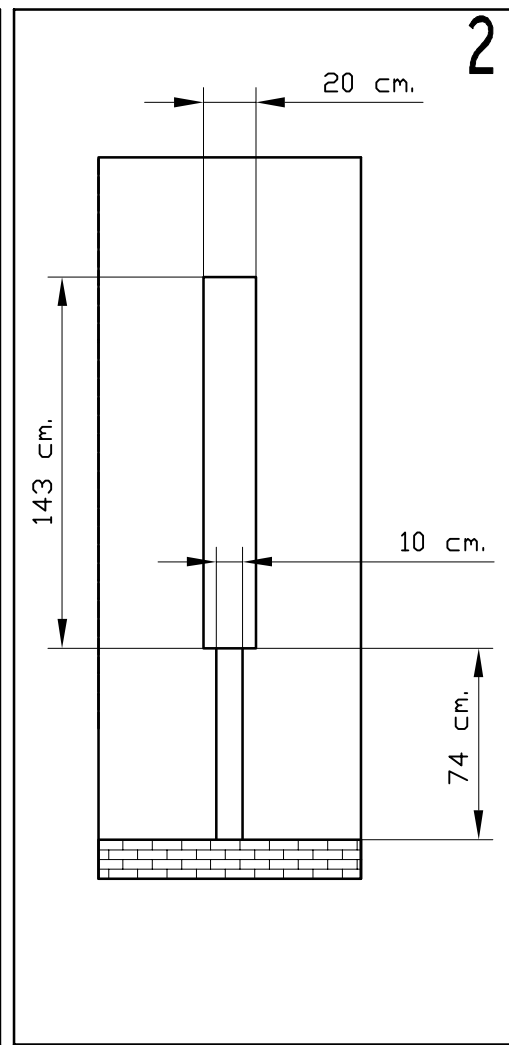
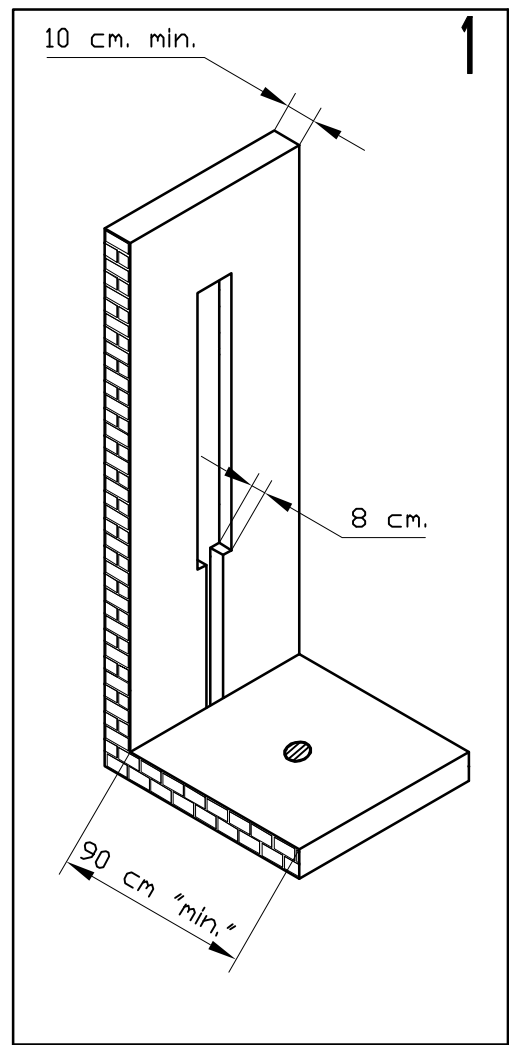
3A



3/4

4A





VERSION "IN"

