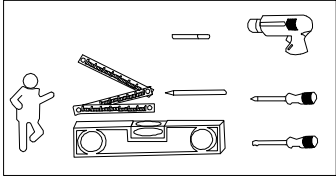
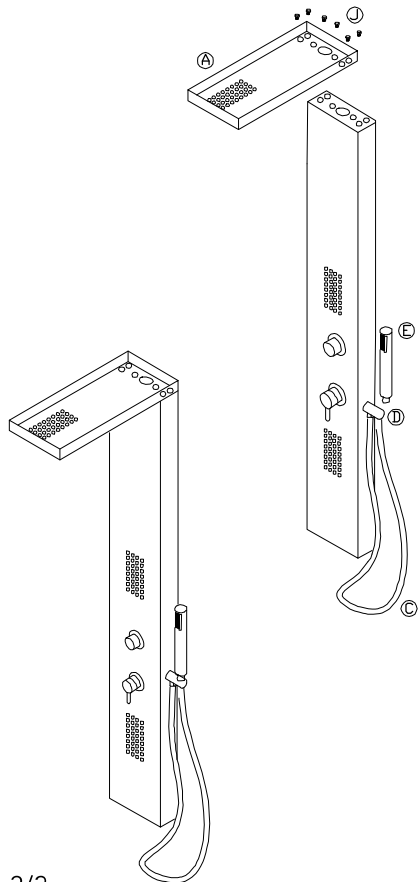
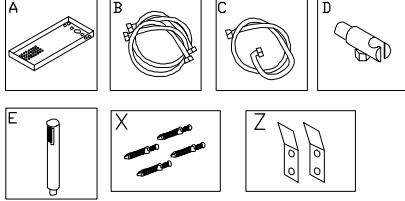




Necessary Tools.



Accessory:



# ATE020-ATE014

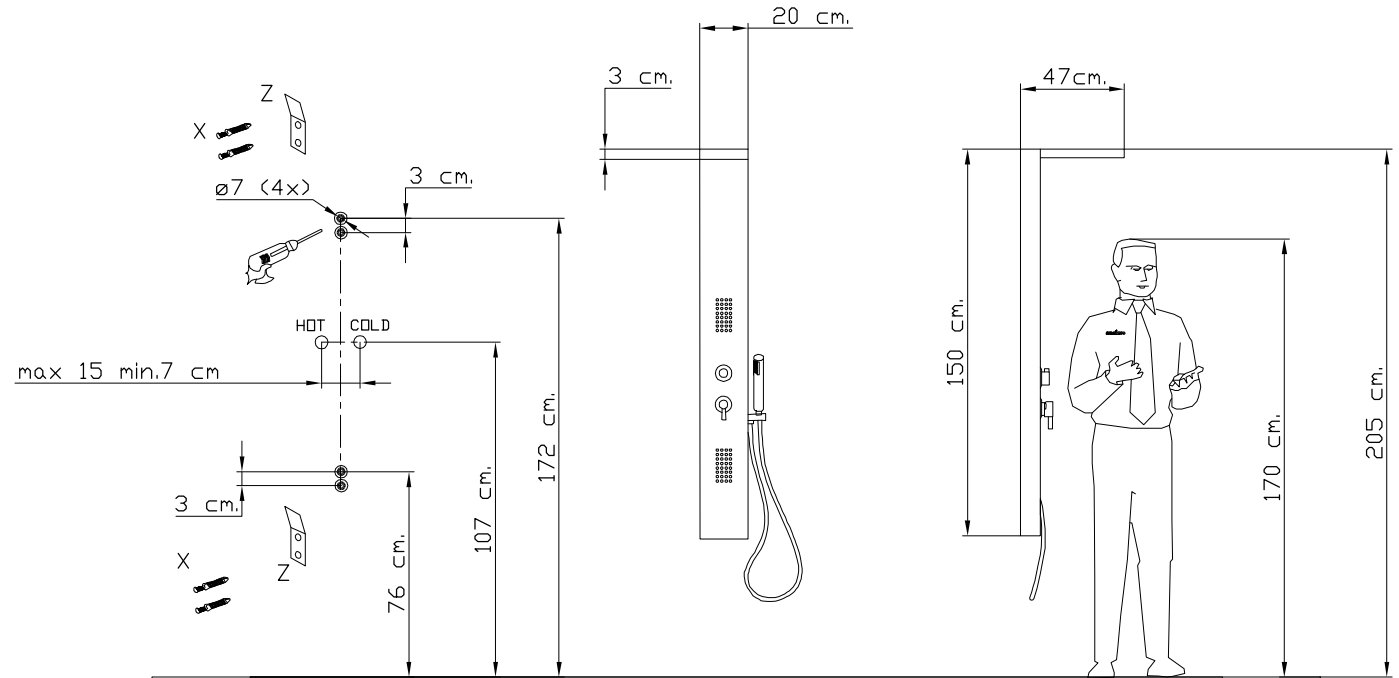


FIG.1

## Products Mounting:

- 1- Fix the hand shower (A) to the shower panel body with screws (J) (6x)
- 2-Fix the hand shower holder (D) to the side of shower panel body.
- 3-Connect the 1.50 mt. double locked S/S hose (C) one side to hand shower holder (D)
- 4-Connect the 1.50 mt. double locked S/S hose (C) another side to the hand shower (E) and hang it on (D).
- 5-Decide the installation height, refer to (fig.1), fix the wall bracket (Z) by (X), connect the water supply to the shower panel fauced by two pcs 50cm. hose (B), refer to (fig.2).

Note:  
The blue mark represent cold water, while red mark represents hot water in the fauced body.

FIG.2

